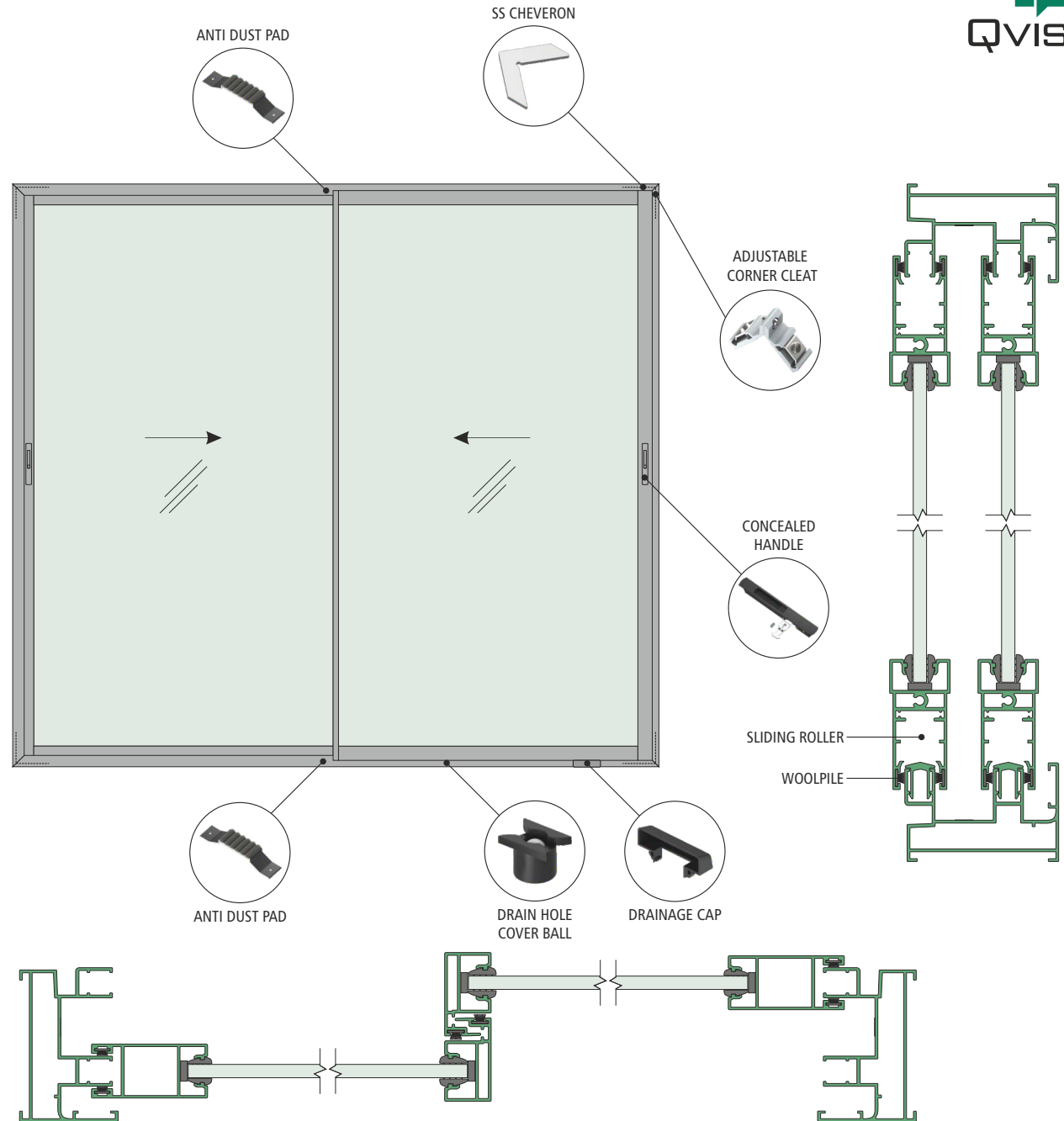
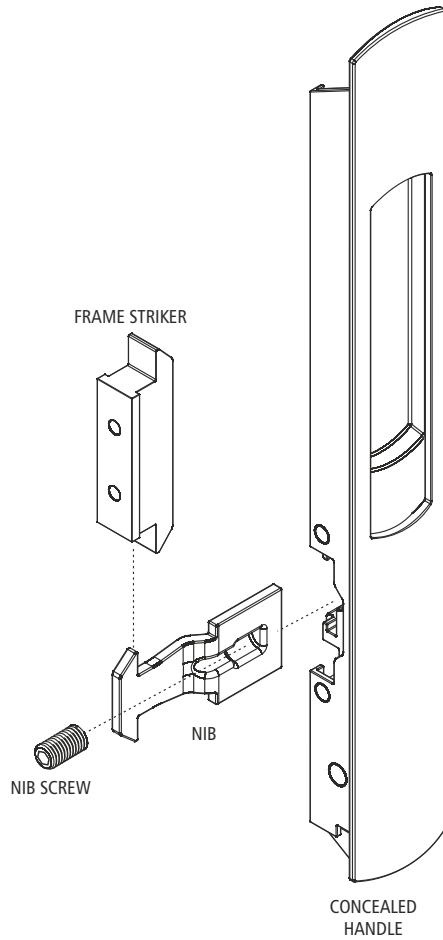
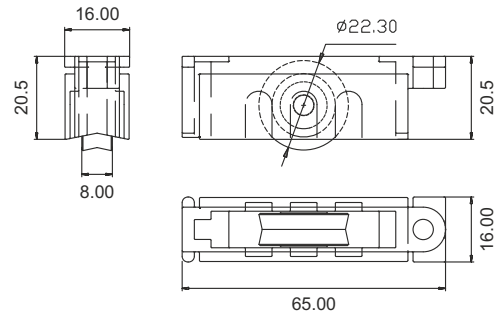
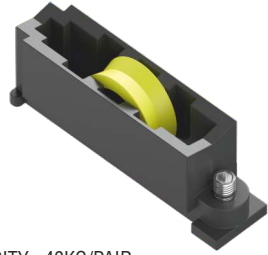


26MM SLIDING WINDOW HARDWARE

26MM SLIDING WINDOW HARDWARE APPLICATION

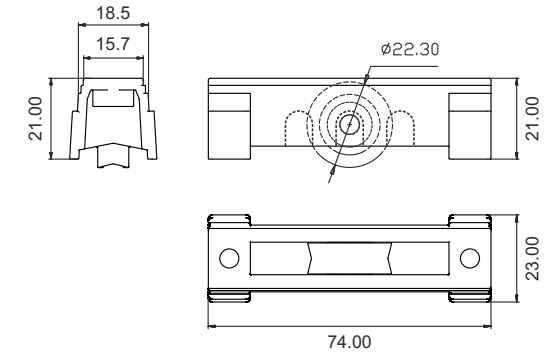


QV123
SINGLE ROLLER (V GROOVE)



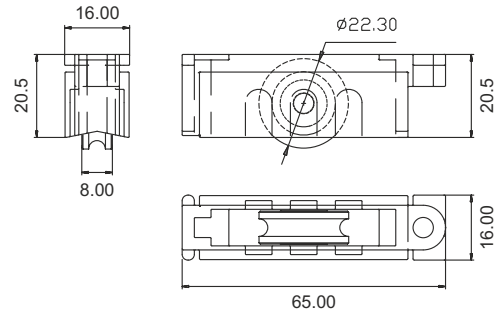
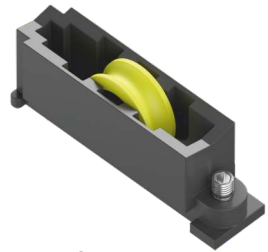
CAPACITY : 40KG/PAIR
BODY : PLASTIC
WHEELS : NYLON

QV124
SINGLE ROLLER (V GROOVE)



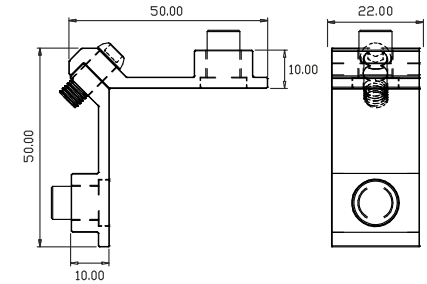
CAPACITY : 40KG/PAIR
BODY : PLASTIC
WHEELS : NYLON

QV125
SINGLE ROLLER (U GROOVE)



CAPACITY : 60KG/PAIR
BODY : PLASTIC
WHEELS : NYLON

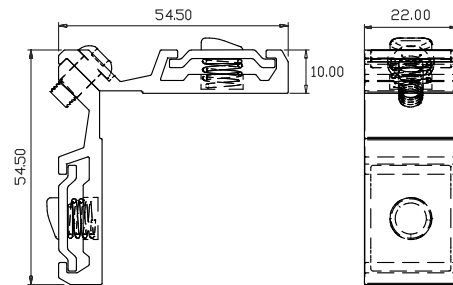
QV201
10X22MM ADJUSTABLE CORNER CLEAT



MATERIAL : ALUMINIUM

FINISH : MILL

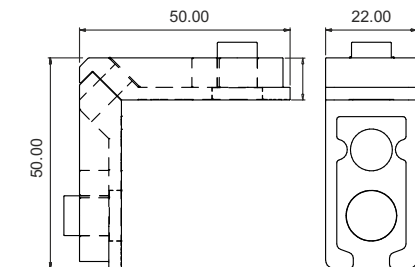
QV202
10X22MM ADJUSTABLE CORNER CLEAT (PREMIUM)



MATERIAL : ALUMINIUM

FINISH : MILL

QV220
10X22MM ADJUSTABLE CORNER CLEAT



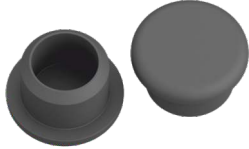
MATERIAL : CASTING

FINISH : MILL

26MM SLIDING WINDOW
HARDWARE



QV518 BLACK / **QV524** WHITE
11.5MM HOLE CAP



MATERIAL : NYLON



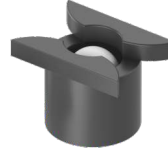
QV519 BLACK / **QV520** WHITE
WATER DRAINAGE CAP WITHOUT
WOOVER PLATE



MATERIAL : NYLON



QV521
DRAIN HOLE COVER BALL



MATERIAL : NYLON



QV522
DRAIN CAPSULE SLOT COVER



MATERIAL : NYLON



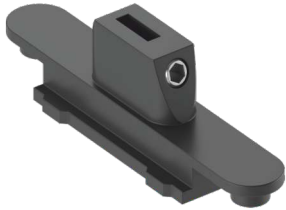
QV534 BLACK / **QV535** WHITE
BUFFER BUMP STOPPER



MATERIAL : CASTING



QV542 BLACK / **QV596** ZINC
NIB HOLDER TWO WAY



MATERIAL : CASTING



QV543
NIB HOLDER TWO WAY SMALL



MATERIAL : CASTING



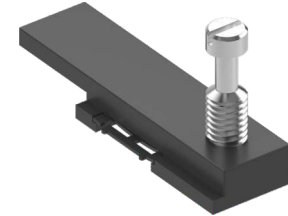
QV581
ONE WAY NIB HOLDER



MATERIAL : CASTING



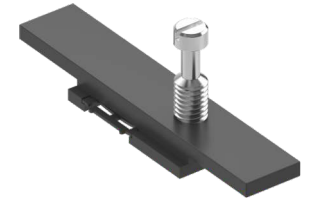
QV544
ONE WAY CONNECTING MULTI
LOCKING DEVICE 25MM (ADJUSTABLE)



MATERIAL : CASTING



QV545
TWO WAY CONNECTING MULTI
LOCKING DEVICE 25MM (ADJUSTABLE)



MATERIAL : CASTING



QV548
SLIDING MULTILOCKING
RECIEVER SCREW



MATERIAL : CASTING



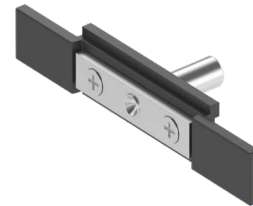
QV549
SLIDING MULTILOCKING
RECIEVER ALLEN-KEY



MATERIAL : CASTING



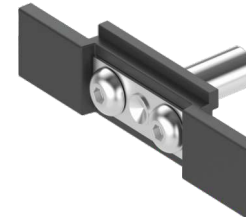
QV552
ROD CONNECTING DEVICE
(STANDARD)



MATERIAL : CASTING



QV553
ROD CONNECTING DEVICE
(PREMIUM)



MATERIAL : CASTING



QV554
SS - 304 GRADE FORK CONNECTOR PIN



MATERIAL : SS

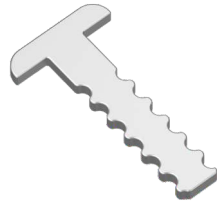
FINISH : MILL

QV557
37MM STREIGHT T- TYPE NIB



MATERIAL : SS FINISH : MILL

QV558
50MM STREIGHT T- TYPE NIB



MATERIAL : SS FINISH : MILL

QV559
37MM STREIGHT J- TYPE NIB



MATERIAL : SS FINISH : MILL

QV560
50MM STREIGHT J- TYPE NIB



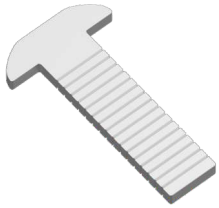
MATERIAL : SS FINISH : MILL

QV561
SS NIB FOR CONCEAL LOCK



MATERIAL : SS FINISH : MILL

QV562
SS BEND NIB T-TYPE



MATERIAL : SS FINISH : MILL

QV567
7MM SS CHEVERON



MATERIAL : SS FINISH : MILL

QV569 BLACK / **QV599** WHITE
WATER DRAINAGE CAP WITH
WOOVER PLATE



MATERIAL : NYLON W B

QV573 ZINC / **QV574** BLACK
DUCK FRAME STRIKER



MATERIAL : CASTING Z B

QV575 ZINC / **QV576** BLACK
STRAIGHT FRAME STRIKER



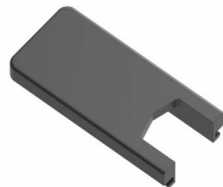
MATERIAL : CASTING Z B

QV577 ZINC / **QV578** BLACK
8.5MM SLIM FRAME STRIKER



MATERIAL : CASTING Z B

QV585 BLACK / **QV600** WHITE
29MM SERIES INTERLOCK WITH CAP



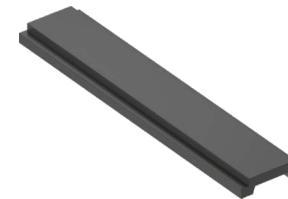
MATERIAL : NYLON W B

QV590
26MM RAINFORCEMENT CAP



MATERIAL : NYLON B

QV901
15/20 EURO POLYIMIDE ROAD



MATERIAL : NYLON B

QV602
ALUMINIUM ANTIDUST PAD (25MM)



MATERIAL : ALUMINIUM B

26MM SLIDING WINDOW
HARDWARE



QV908 (BLACK) / **QV909** (WHITE)
POCKET SLIDING STRIKER



MATERIAL : CASTING W B

QV910
15/20 EURO ALUMINIUM ROD



MATERIAL : ALUMINIUM FINISH : MILL

QV913
4.5MM SS CHEVERON SS-304 GRADE



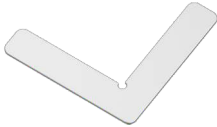
MATERIAL : SS FINISH : MILL

QV914
6.5MM SS CHEVERON SS-304 GRADE



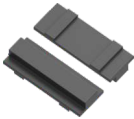
MATERIAL : SS FINISH : MILL

QV915
12MM SS CHEVERON SS-304 GRADE



MATERIAL : SS FINISH : MILL

QV510
DISTANCE PICE



MATERIAL : NYLON B

QV608 BLACK / **QV609** WHITE
BUFFER BUMP STOPPER (V-GROOVE)



MATERIAL : NYLON W B